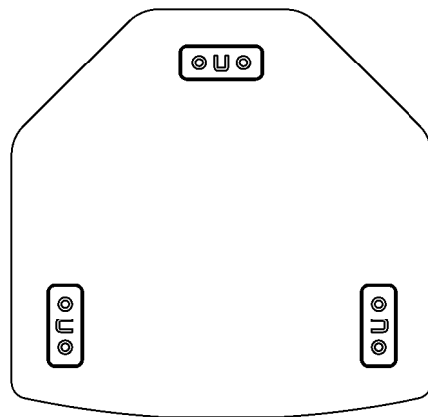
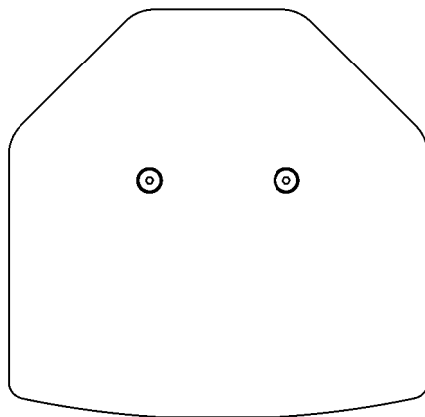
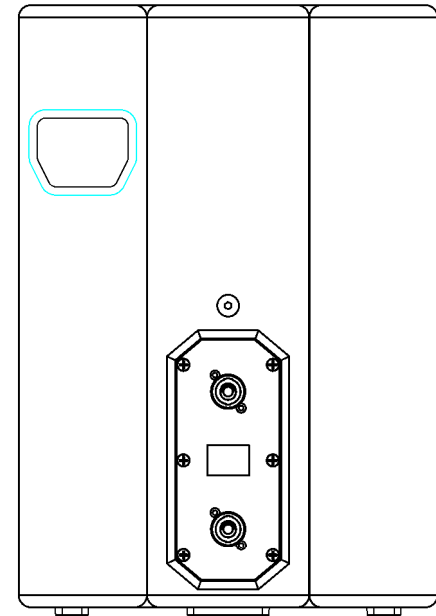
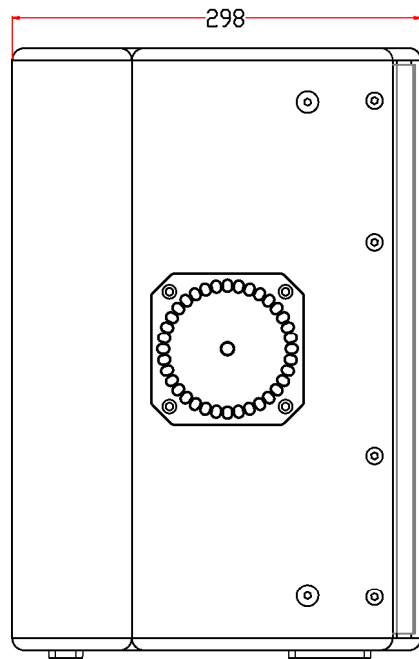
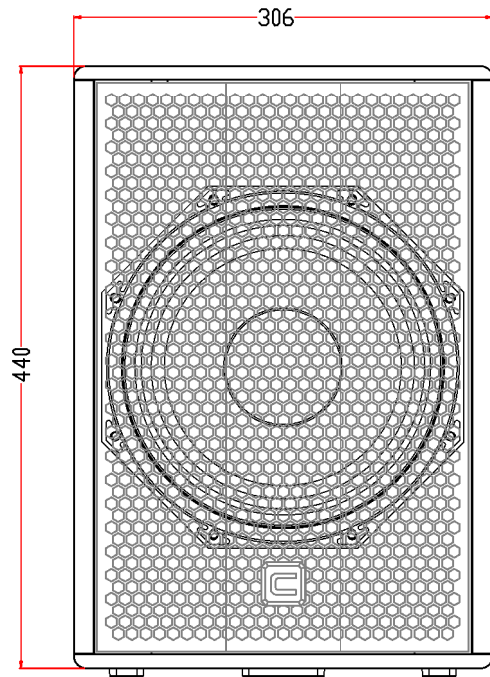


A  
0



MODEL	CMP10	PN	101425	UNIT	MM	OF
PART NAME	WOOD CABINET	APPROVED		THIRD ANGLE PROJECTION		1
MATERIAL	BIRCH PLY WOOD	DATE	20190506			PAGE
SCALE	1:1					1
DRAWER	EVAN					