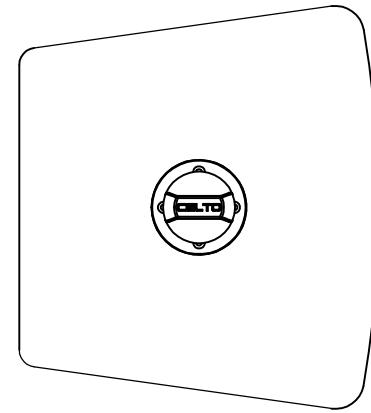
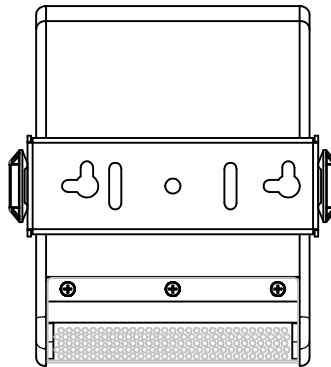
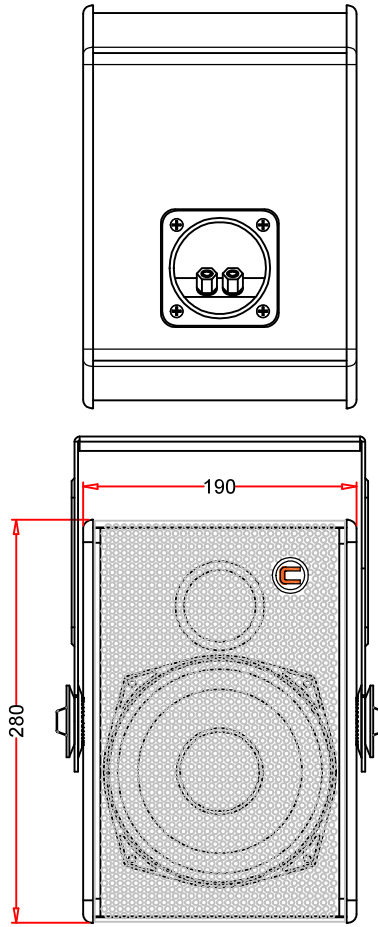
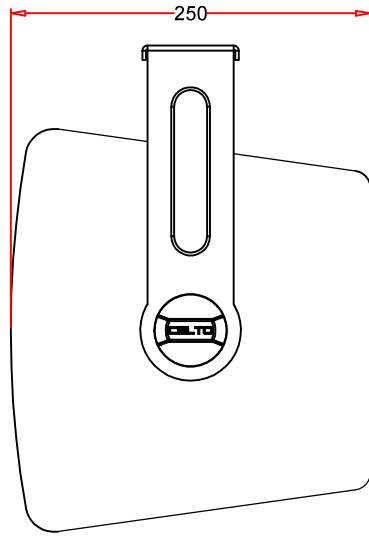


A

1



MODEL	IFIX6	PN	101332	UNIT	MM	OF
PART NAME	SPEAKER	APPROVED		THIRD ANGLE PROJECTION		
MATERIAL	BIRCH PLY WOOD	DATE	20180625			PAGE
SCALE	1:1					
DRAWER	Arthur					