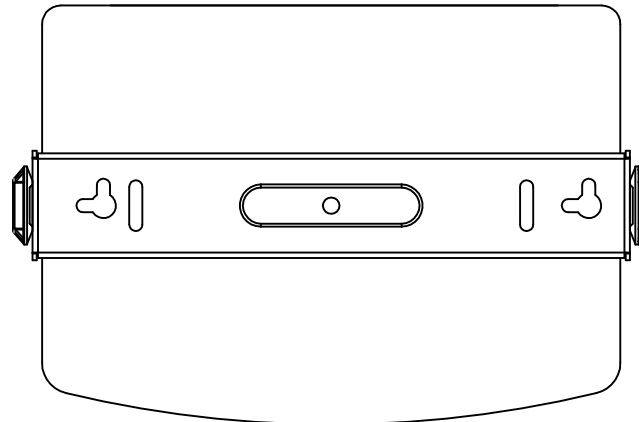
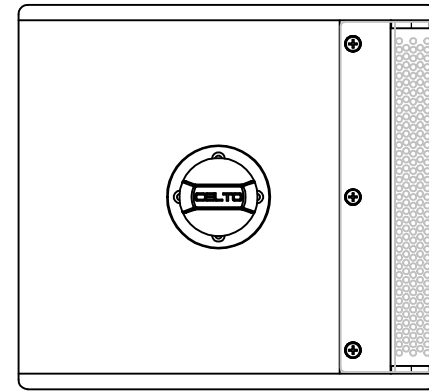
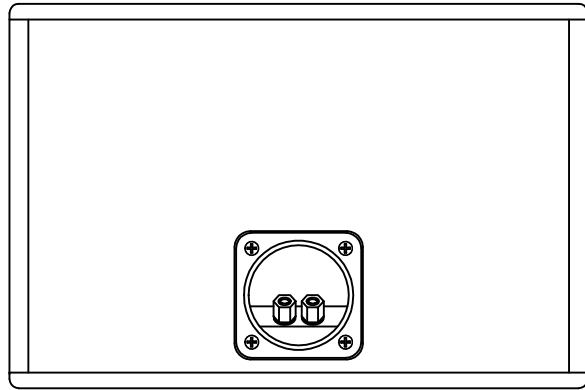
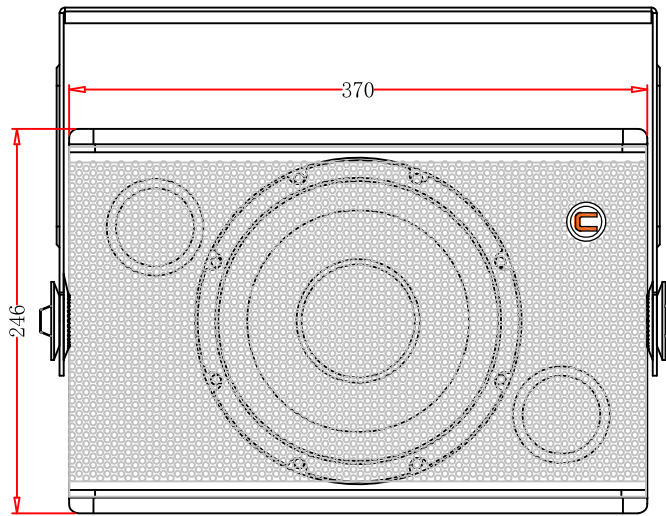
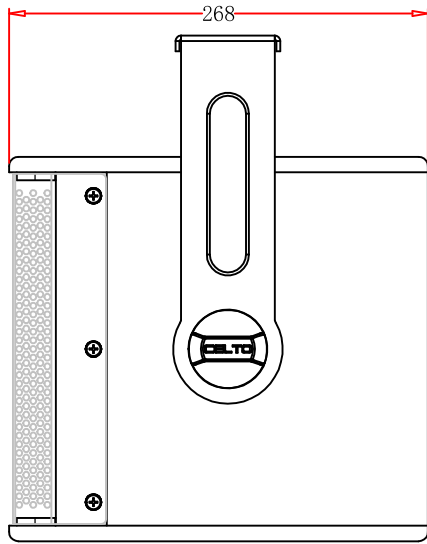


A

1



MODEL	IFIX7	PN	101394	UNIT	MM	OF
PART NAME	WOOD CABINET	APPROVED		THIRD ANGLE PROJECTION		1
MATERIAL	BIRCH PLY WOOD	DATE	20180803			PAGE
SCALE	1:1					1
DRAWER	Arthur					